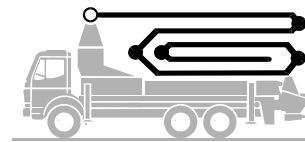


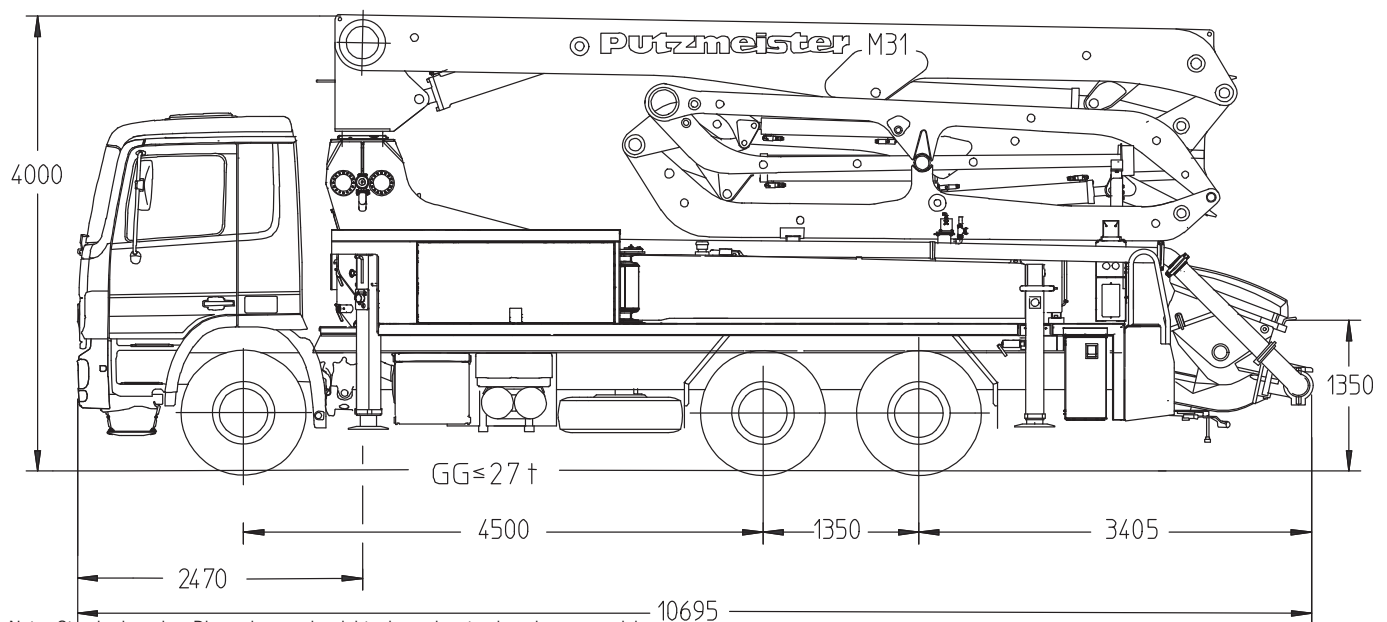
Truck-mounted concrete pump

BSF 31-5.14 H

Output up to 160 m³/h
 Delivery pressure up to 130 bar*



.16 H
.16 H LS



Note: Standard version. Dimensions and weights depend on truck and pump model.
 Dimensions in mm, MB-Actros 2636 as example.
 For illustration only.

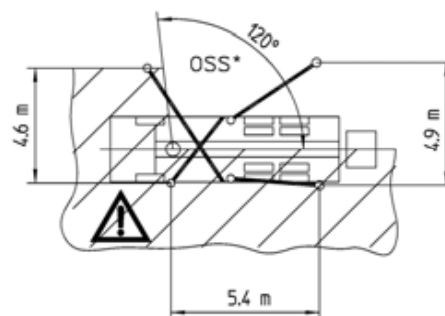
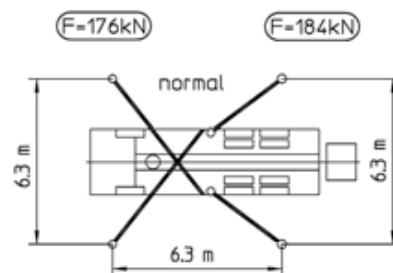
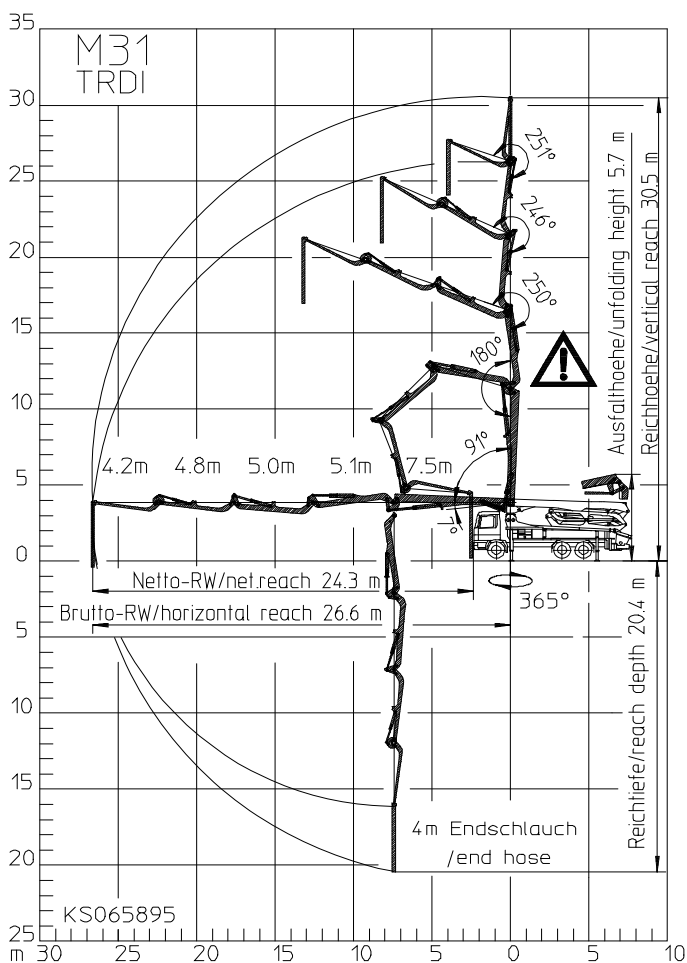
Technical data

Boom M 31-5		
Sections		5
Reach height	m	30.5
Horizontal reach	gross	m 26.6
	net	m 24.3
Reach depth max.	m	20.4
Unfolding height	m	5.7
End hose length	m	4
Folding system		ZR
Delivery line		DN 125

Pump		BSF	.14 H	.16 H	.16H LS
Rod side	Output	m ³ /h	140	160	-
	Delivery pressure	bar	70	85	-
	Strokes	1/min.	27	31	-
Piston side	Output	m ³ /h	88	108	160
	Delivery pressure	bar	112	130	85
	Strokes	1/min.	17	21	26
	Delivery cylinder	Ø mm	230	230	250
	Stroke	mm	2100	2100	2100

*) Delivery line boom max. 85 bar.
 All data maximum theoretical.

Reach information diagram, Support



OSS not included in series range.
Dimensions can differ depending on configuration.



Range in which you must not work with the end hose.

Serial delivery scope

Agitator and water pump radio remote/on site controlled

Cardan shaft maintenance free

Central lubrication strip hopper

Chassis horn via remote control on hopper

Concrete hopper RS 907 with agitator

Connections for hydraulic emergency supply

C-pipe connection for filling water tank

Delivery cylinder chrome-plated

Delivery line (1-layer) PM40, arm assembly

Delivery piston 'compact' (14 H, 16 H), 'single' (16 H LS)

Diagnose interface

End hose 4,0 m DN 125 5,5"

Ergonic Graphic Display (EGD) with machine fault management

Ergonic Pump System (EPS) incl. Ergonic Output Control (EOC)

Flushing water pump 160 l/min 25 bar

Hinged elbow with cleaning port

Hydraulic hose for replacement in hose pack

Operating manuals 2 x (1 x paper, 1 x CD-ROM) spare part list

Platform non-skid

Pump on/off dependent on speed

Radio remote control proportional with display

Rear and brake light 24 V

Remote control without display with 40 m cable

Rubber collar on concrete hopper

Spectacle wear plate DURO 22

Spray hose 10 m incl. bracket

S-transfer tube switchover fast/slow

Support plates (4 x) in magazine (2 x) open

Tool box integrated

Tool set incl. standard equipment

Towing eye

Wash-out port lid with slide pin

Water supply, hopper (1/2")

Water tank 500 l, steel

Working light for illumination of hopper, detachable

See quotation for exact serial delivery scope.
Comprehensive range of options available on request.